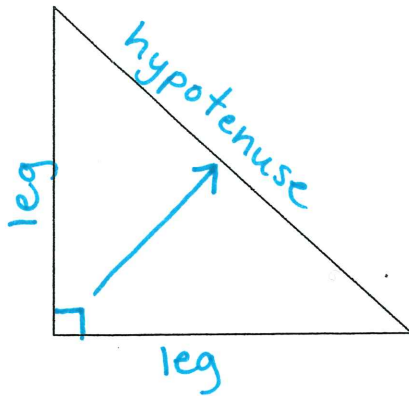
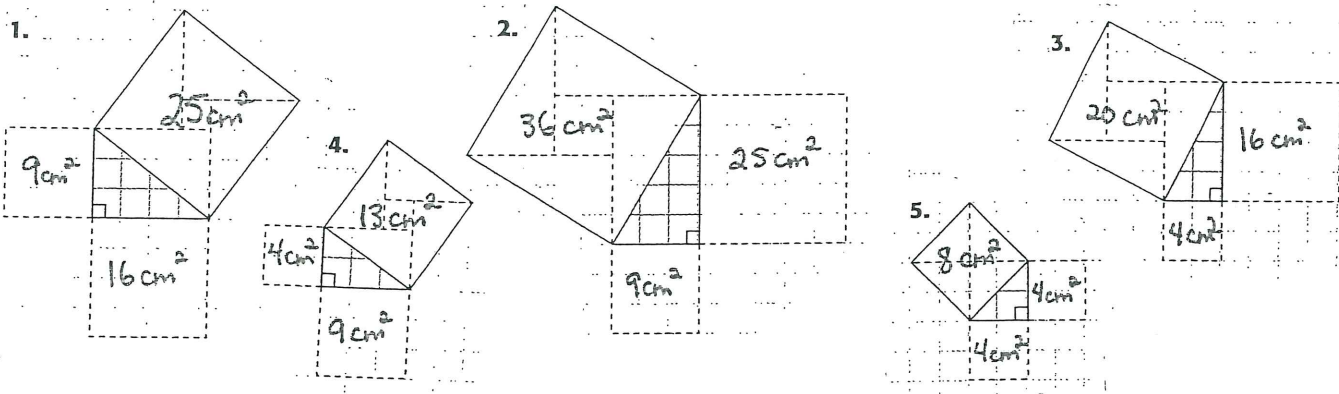


Grade 8 Math: Investigating Right Triangles and the Pythagorean Theorem

- A right triangle is a triangle with a right angle (90°). The right angle may be marked with a small square.
- The two shorter sides that form the right angle are called the legs.
- The longest side is called the hypotenuse and is always opposite the right angle.



- There is a relationship between the side lengths of a right triangle.
- It was discovered by a famous Greek mathematician named Pythagoras and is therefore known as the Pythagorean Relationship.
- You will investigate this relationship today by completing the activity below. See if you can determine the relationship that Pythagoras discovered many years ago.



Triangle	Area of the Square on the Horizontal Leg	Area of the Square on the Vertical Leg	Area of the Square on the Hypotenuse
1			
2			
3			
4			
5			

Describe the relationship you found between the 3 areas.